

GRAND EFFECTS



Water Bowls

Operating and Maintenance Instructions



Table of Contents

Section 1: Requirements 1
Section 2: Installation 2
Grand Effects Warranty (1 Year Residential; 6 Months Commercial) 4



This manual should remain with the homeowner or parties responsible for operation.

Section 1: Requirements

Water Flow	12–15 gpm
------------	-----------

Section 2: Installation

1. Install a 1" PVC water line in the middle of column as shown in Figure 1.

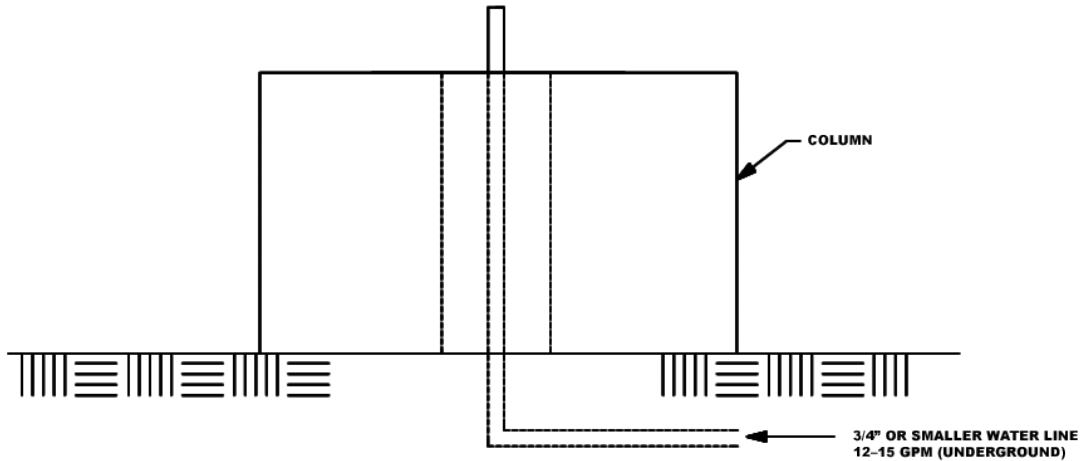


Figure 1: Water Line Column

2. Install the stainless washer supplied by Grand Effects as shown in Figure 2.

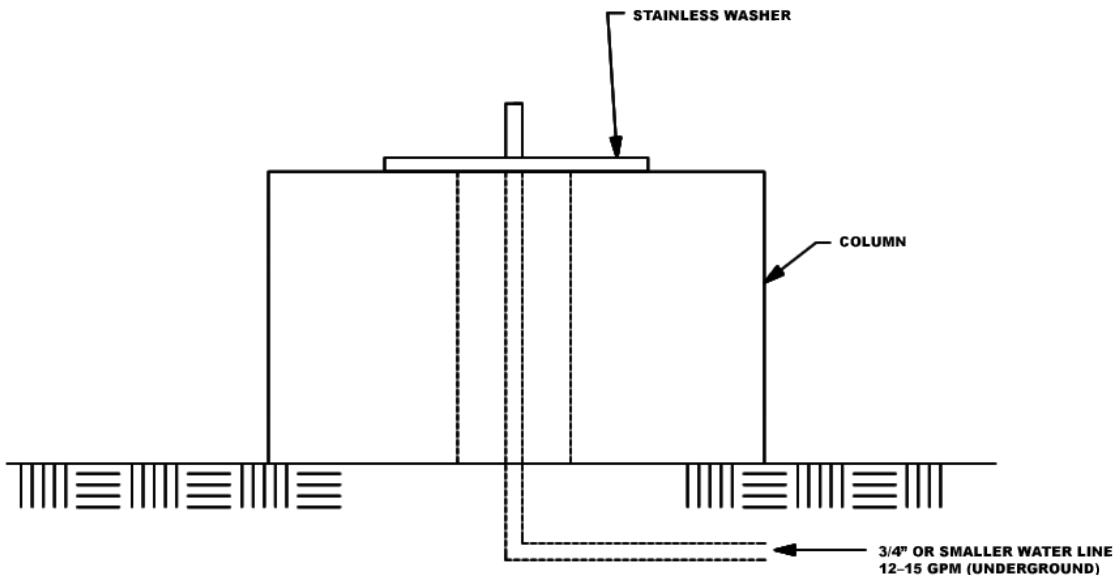
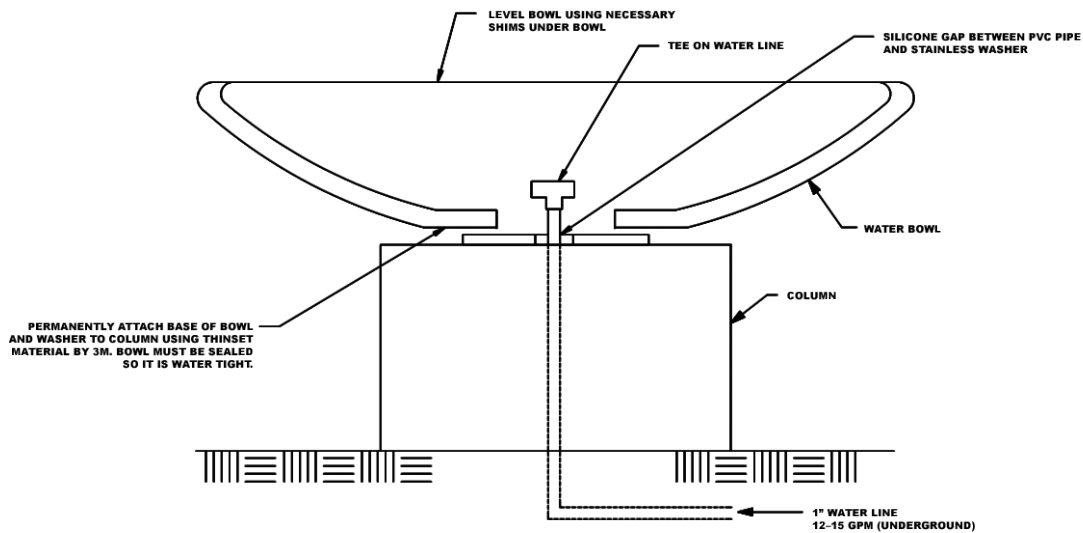


Figure 2: Stainless Washer Installation



3. Level the Water Bowl using shims under the base of the bowl.
4. Permanently secure the base of the bowl and the stainless washer to the cap using 3M Scotch-Weld Epoxy Adhesive 2216 B/A as shown in Figure 3.

Figure 3: Securing the Base

5. Silicone the gap between the stainless washer and the PVC water pipe.

Note: The Water Bowl should be watertight.
6. Cut the PVC water line to the desired height, and add a "T" fitting to the water pipe.

Note: The copper Water Bowl will patina inside the bowl.
7. If desired, install decorative stone or pebbles inside the bowl.

Grand Effects Warranty (1 Year Residential; 6 Months Commercial)

Grand Effects will attempt to repair, at its expense, any unit, which in normal use, has proven to be defective in workmanship or material, provided that the Buyer provides or arranges for the return of the product prepaid to Grand Effects with proof of product date of delivery to the end user of the product and provides Grand Effects with reasonable opportunity to verify the alleged defect by inspection, which shall not be more than 15 days after receipt by Grand Effects. If the unit is deemed defective and cannot be repaired, Grand Effects will replace. Grand Effects will not be responsible for any asserted defect, which has resulted from misuse, abuse, repair or alteration. Under no circumstances will Grand Effects be liable for incidental or consequential damage resulting from defective products. This warranty is Grand Effects' sole warranty and sets forth the exclusive remedy, with respect to defective products, all other warranties, expressed or implied, whether of merchantability, fitness for purpose or otherwise, are expressly disclaimed by Grand Effects. Grand Effects is not responsible for any injury or mishap related to misuse, abuse or lack of judgment choosing fire display locations.



Contact us at:

GRAND EFFECTS

18 Technology Dr. #110
Irvine, CA 92618
Office: (949) 697-5270
Fax: (949) 625-8027
e-mail: info@grandeffectsinc.com