

GRAND EFFECTS

Water Bowls

**OWNER'S MANUAL /
INSTALLATION INSTRUCTIONS**



This manual should remain with the homeowner or parties responsible for operation.
(Rev C)

Table of Contents

Requirements

Page 3

Installation

Page 3

1.0 Requirements

1.1 Water Flow: 15-20gpm

2.0 Installation

2.1 Install water line in middle of column (Fig. 1)

2.2 Epoxy Mounting Bracket (plastic) to column (Fig. 2)

2.3 Set Bowl on top of Mounting Bracket and silicone between Water Bowl and Mounting Bracket.

2.4 Cut water line to desired height and add "T" fitting to water line.

2.5 If desired, water bowls can be siliconed underneath between top of cap and bottom of bowl.

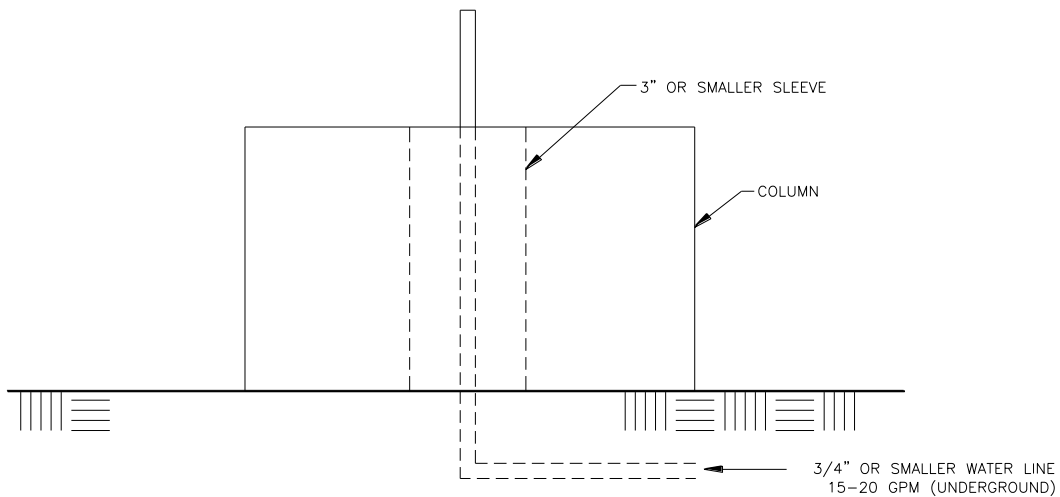


Fig. 1

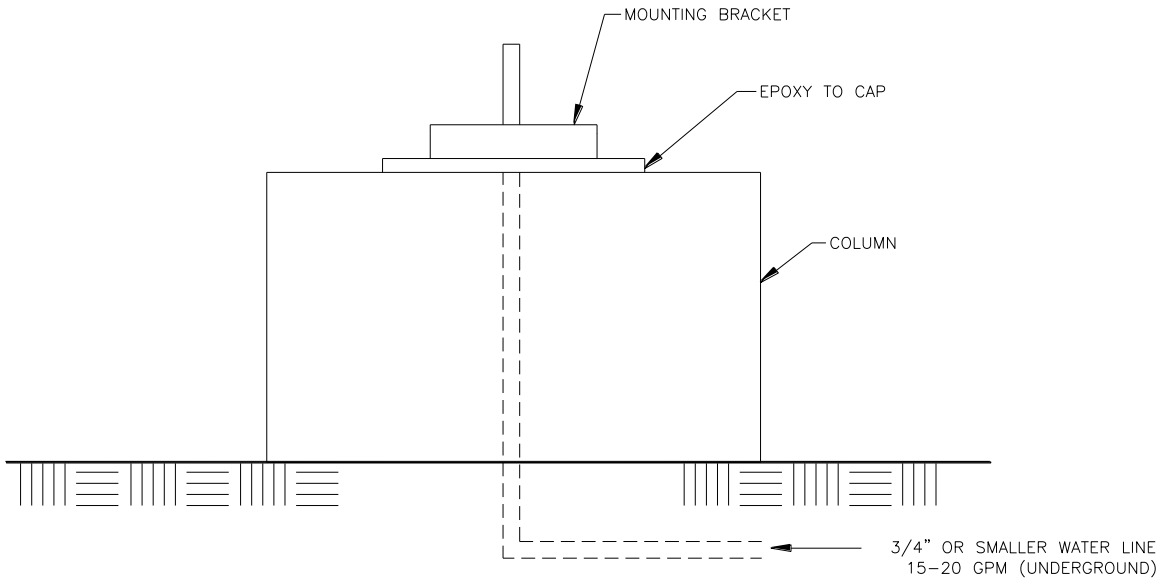


Fig. 2

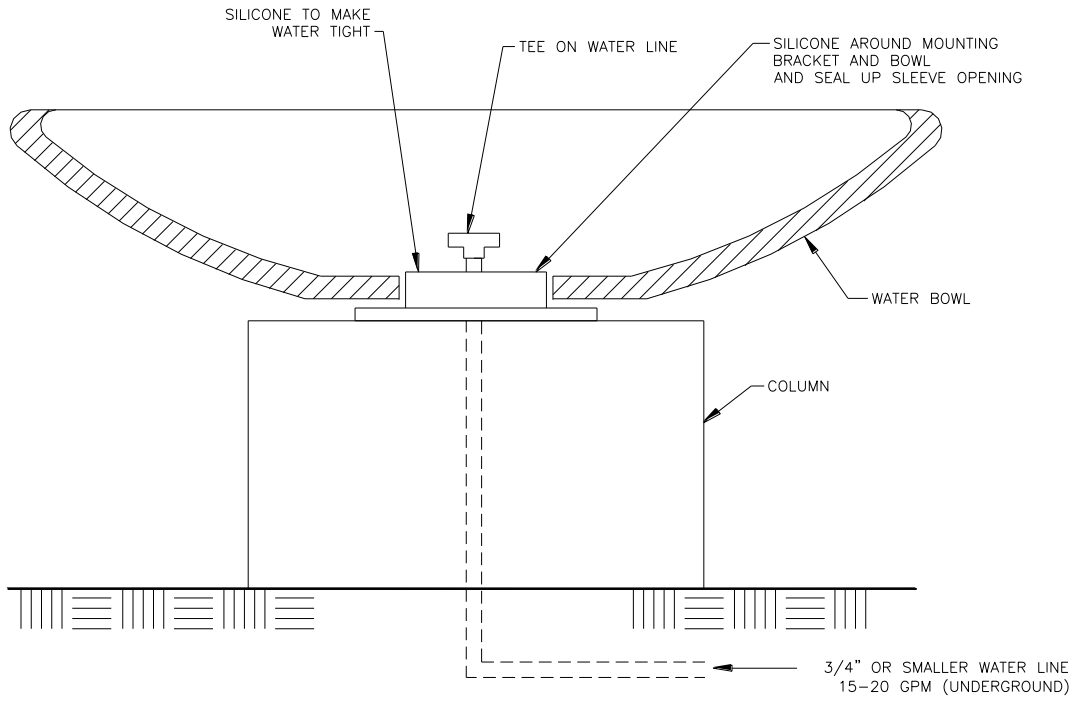


Fig. 3

Grand Effects

1 year Limited Residential Warranty/6mo Commercial

Grand Effects will replace, at its expense, any unit, which in normal use, has proven to be defective in workmanship or material, provided that the customer returns the product prepaid to Grand Effects with proof of product within one year and provides Grand Effects with reasonable opportunity to verify the alleged defect by inspection. Grand Effects will not be responsible for any asserted defect, which has resulted from misuse, abuse, repair or alteration. Under no circumstances will Grand Effects be liable for incidental or consequential damage resulting from defective products. This warranty is Grand Effects' sole warranty and sets forth the customer's exclusive remedy, with respect to defective products, all other warranties, expressed or implied, whether of merchantability, fitness for purpose or otherwise, are expressly disclaimed by Grand Effects. Grand Effects is not responsible for any injury or mishap related to misuse, abuse or lack of judgment choosing fire display locations.



Contact us at:

GRAND EFFECTS

16 Technology Dr. #133

Irvine, CA 92618

Office (949) 697-5270

Fax (949) 625-8027

e-mail: info@grandeffectsinc.com